

Architectural Door Accessories

ASSA ABLOY

Pemko Door Bottoms

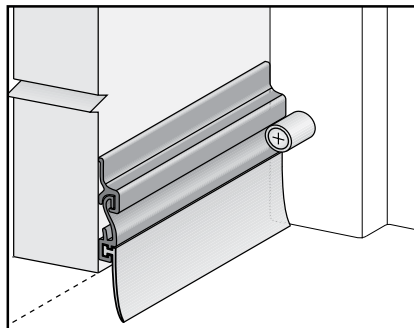
The global leader in
door opening solutions

Applies to the following door bottom:

405_V

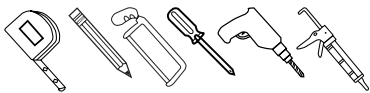
Installation Instructions:

1. Measure, mark, and trim door bottom sweep to fit width of door, allowing clearance between the two stops.
2. Close door and secure door bottom sweep to outside bottom edge of door with supplied screws. Top of door bottom sweep should be 2-1/2" above threshold (or floor).
3. With door closed, depress and hold sweep in closed (down) position. With supplied screw, attach nylon cam to door stop on latch side of door opening. Cam should be 1-3/8" above threshold and up against the sweep. When door is closed, the cam will hold the sweep in closed (down) position.
4. When door is opened, the sweep flips up to allow clearance over carpet.



405_V - Installed

Tools Required:



Testing/Ratings:

Gasketing material for fire doors intended for application to listed steel frames and/or classified steel covered composite type, and hollow metal type fire doors rated up to 3 hours; wood and plastic covered composite type fire doors rated up to 1-1/2 hours; and wood core type fire doors rated up to 20 minutes.

(Thresholds may or may not contain gasketing material).



www.pemko.com

MEMPHIS, TN USA VENTURA, CA USA VANCOUVER, BC CA TORONTO, ON CA
P: 800 824-3018 P: 800 283-9988 P: 877 535-7888 P: 877 535-7888
F: 800 243-3656 F: 800 283-4050 F: 877 535-7444 F: 877 535-7444

Copyright © 2017 Pemko Manufacturing Co., an ASSA ABLOY Group company. All rights reserved.
Reproduction in whole or in part without the express written permission of Pemko Manufacturing Company is prohibited.

DB17_WEBINS
Rev 2 - 03.07.17
Page 1 of 1